

**Telescopic
Fusion Pro 60 cm
Anthracite**



EAN 5414425203437

Energy label

▪ Energy Efficiency class (EEIhood)	A+
▪ Annual Energy Consumption (kWh/year) (AEChood)	33,3
▪ Fluid Dynamic Efficiency class (FDEhood)	A
▪ Lighting Efficiency class (LEhood)	A
▪ Grease Filtering Efficiency class (GFEhood)	C

Functions & features

▪ Motor	Integrated
▪ Sound absorber	Integrated
▪ Recirculation	Optional
▪ InTouch function	Standard
▪ Auto stop	▪
▪ Delayed switch off (minutes)	10
▪ Grease filter	8740050
▪ Number of grease filters	2
▪ Control method	Touch control
▪ Number of speeds	3 + power
▪ Automatic Power revert (minutes)	6

Dimensions

▪ Product dimensions (WxDxH) (mm)	600 x 310 x 340
▪ Dimensions cut-out opening (WxD) (mm)	x
▪ Min dimensions cabinet (WxDxH) (mm)	600 x 310 x 340
▪ Thickness side panel cabinet (mm)	16, 18, 19
▪ Advised mounting height induction hobs (Hmin-Hmax) (mm)	500 - 750
▪ Advised mounting height gas hobs (Hmin-Hmax) (mm)	650 - 750
▪ Advised mounting height ceramic hobs (Hmin-Hmax) (mm)	500 - 750
▪ Diameter outlet (mm)	150
▪ Position exhaust	Top

Lighting

▪ Functional lighting type	Led strip
▪ Functional light dimmable	▪
▪ Number of functional lights	1
▪ Total energy consumption functional light (W)	10
▪ Color functional light	3000

Airflow and noise level

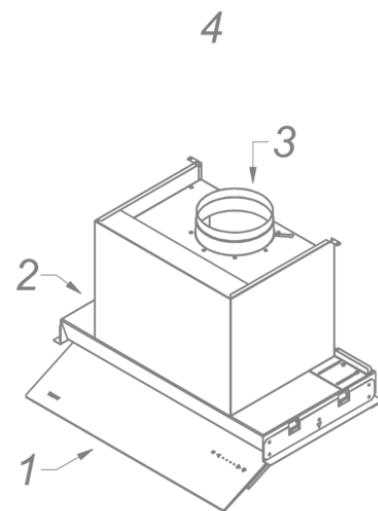
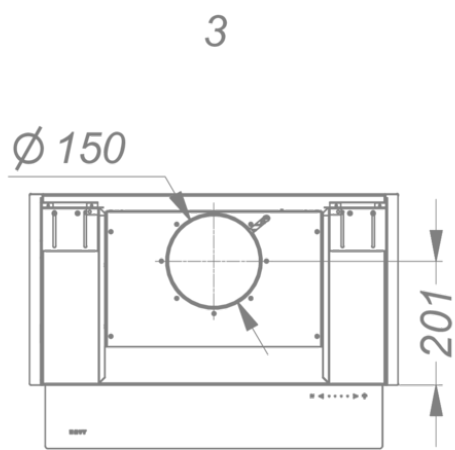
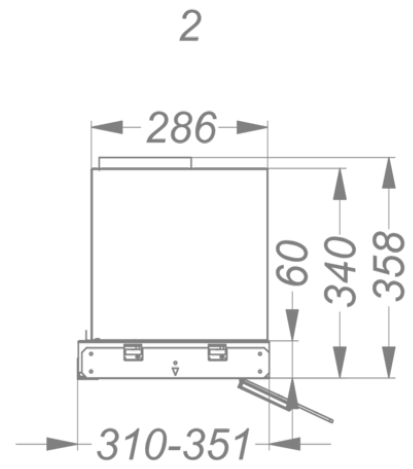
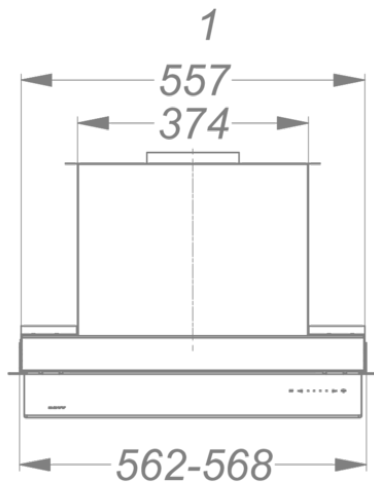
▪ Free airflow (m ³ /h)	815
▪ Airflow (m ³ /h) measured according to EN 61591	
▪ Sound regulation according to EN 60704-2-13	
▪ Airflow duct out speed 1 (m ³ /h) / Max pressure duct out speed 1 (Pa)	395 / 174

Airflow and noise level

- Airflow duct out speed 2 (m³/h) / Max pressure duct out speed 2 (Pa) 535 / 353
- Airflow duct out speed 3 (m³/h) / Max pressure duct out speed 3 (Pa) 608 / 389
- Airflow duct out max powerspeed (m³/h) (Qboost) / Max pressure duct out max powerspeed (Pa) 682 / 390
- Sound pressure duct out speed 1 (dB(A)) / Sound power duct out speed 1 (dB(A)) 36 / 48
- Sound pressure duct out speed 2 (dB(A)) / Sound power duct out speed 2 (dB(A)) 44 / 56
- Sound pressure duct out speed 3 (dB(A)) / Sound power duct out speed 3 (dB(A)) 47 / 59
- Sound pressure duct out at max powerspeed (dB(A)) / Sound power duct out at max powerspeed (dB(A)) (LWAboost) 50 / 62

Technical specifications

- Maximum power (W) 115
- Voltage cooker hood (V) 230
- Frequency (Hz) 50
- Power consumption in stand-by-mode (Ps) (W) 0,25
- Net weight (kg) 11,2
- Length power supply cord (m) 1,1



Installation accessories

Back panel & chimney extensions

- 88408160 Chimney extension

Additional accessories

- 840029 Remote control

Accessories

Recirculation kit



8740400

Monoblock recirculation set Fusion Pro / Advanced

