

**Island mounted**  
**Phantom Frame 130 cm**  
**Black**



EAN 5414425223961

**Functions & features**

▪ Control method	Remote control
▪ Number of speeds	3 + power
▪ Automatic Power revert (minutes)	6
▪ Motor	Integrated
▪ Sound absorber	Integrated
▪ Recirculation	Standard, Monoblock
▪ InTouch function	Standard
▪ Novy Connect	Standard
▪ Auto stop	▪
▪ Delayed switch off (minutes)	30
▪ Number of grease filters	1
▪ Grease filter	7530020
▪ Grease filter cleaning indication	▪
▪ Recirculation filter cleaning indication	▪

**Dimensions**

▪ Product dimensions recirculation (WxDxHmin-Hmax) (mm)	1302 x 475 x 380 - 380
▪ Advised mounting height induction hobs (Hmin-Hmax) (mm)	650 - 850
▪ Advised mounting height gas hobs (Hmin-Hmax) (mm)	650 - 850
▪ Advised mounting height ceramic hobs (Hmin-Hmax) (mm)	600 - 850
▪ Position exhaust	Top

**Lighting**

▪ Functional lighting type	Led
▪ Functional light dimmable	▪
▪ Soft-ON/OFF	▪
▪ Number of functional lights	4
▪ Total energy consumption functional light (W)	8
▪ Color functional light	2700/4000
▪ Ambient lighting type	Led
▪ Ambient light dimmable	▪
▪ Number of ambient lights	4
▪ Total energy consumption ambient light (W)	8
▪ Color ambient light	2700
▪ Ambient lighting II type	Led strip
▪ Ambient light II dimmable	▪
▪ Number of ambient lights II	1
▪ Total energy consumption ambient light II (W)	43
▪ Color ambient light II	2700

**Airflow and noise level**

▪ Free airflow (m³/h)	815
▪ Airflow (m³/h) measured according to EN 61591	

### Airflow and noise level

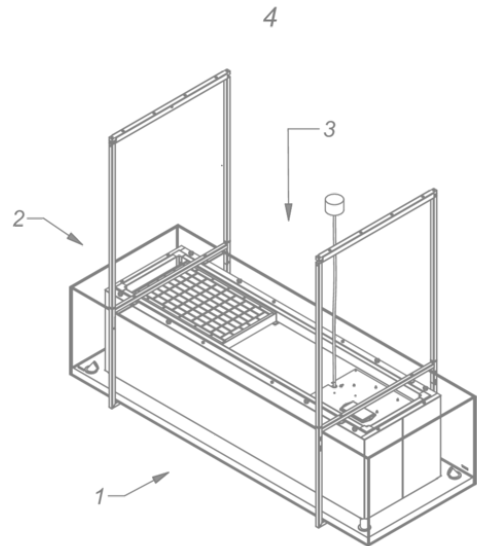
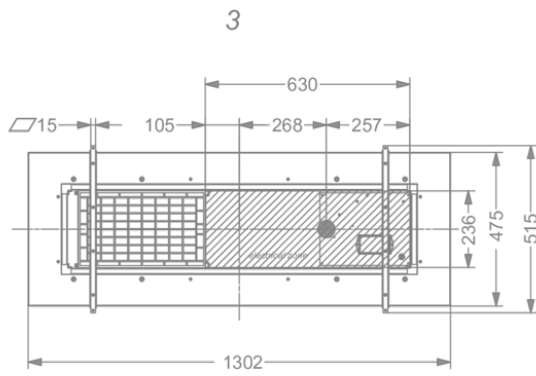
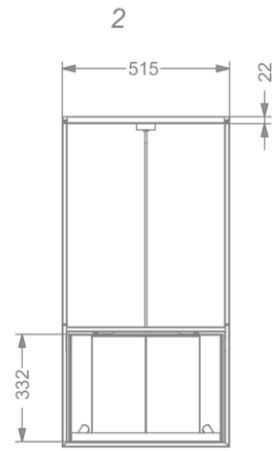
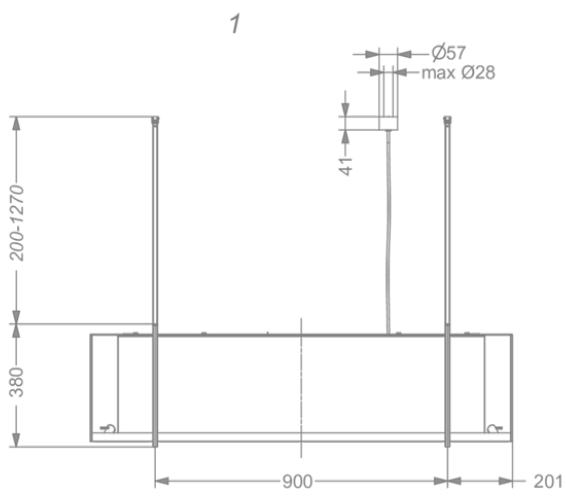
---

- Sound regulation according to EN 60704-2-13
- Sound pressure duct out speed 1 (dB(A)) / Sound power duct out speed 27 / 40  
1 (dB(A))
- Sound pressure duct out speed 2 (dB(A)) / Sound power duct out speed 41 / 53  
2 (dB(A))
- Sound pressure duct out speed 3 (dB(A)) / Sound power duct out speed 46 / 59  
3 (dB(A))
- Sound pressure duct out at max powerspeed (dB(A)) / Sound power duct 50 / 63  
out at max powerspeed (dB(A)) (LWAbboost)

### Technical specifications

---

▪ Maximum power (W)	159
▪ Voltage cooker hood (V)	230
▪ Frequency (Hz)	50
▪ Length power supply cord (m)	170
▪ Net weight (kg)	51



**Installation accessories**

---

**Back panel & chimney extensions**

- 7530100

Kit extended cable (4x3,5m)

