

**Telescopic
Fusion 60 cm
White**



EAN 5414425006809

Energy label

▪ Energy Efficiency class (EEIhood)	A
▪ Annual Energy Consumption (kWh/year) (AEChood)	36,1
▪ Fluid Dynamic Efficiency class (FDEhood)	A
▪ Lighting Efficiency class (LEhood)	A
▪ Grease Filtering Efficiency class (GFEhood)	B

Functions & features

▪ Motor	Integrated
▪ Sound absorber	Integrated
▪ Recirculation	Optional
▪ InTouch function	Standard
▪ Auto stop	▪
▪ Delayed switch off (minutes)	10
▪ Grease filter	680020
▪ Number of grease filters	1
▪ Grease filter cleaning indication	▪
▪ Recirculation filter cleaning indication	▪
▪ Control method	Touch control
▪ Number of speeds	3 + power
▪ Automatic Power revert (minutes)	6

Dimensions

▪ Product dimensions (WxDxH) (mm)	520 x 280 x 320
▪ Dimensions cut-out opening (WxD) (mm)	505 x 265
▪ Min dimensions cabinet (WxDxH) (mm)	505 x 265 x
▪ Advised mounting height induction hobs (Hmin-Hmax) (mm)	500 - 750
▪ Advised mounting height gas hobs (Hmin-Hmax) (mm)	650 - 750
▪ Advised mounting height ceramic hobs (Hmin-Hmax) (mm)	500 - 750
▪ Diameter outlet (mm)	150
▪ Position exhaust	Top, Back

Lighting

▪ Functional lighting type	Led strip
▪ Functional light dimmable	▪
▪ Soft-ON/OFF	-
▪ Number of functional lights	1
▪ Total energy consumption functional light (W)	10
▪ Color functional light (K)	3000

Airflow and noise level

▪ Free airflow (m ³ /h)	815
▪ Airflow (m ³ /h) measured according to EN 61591	

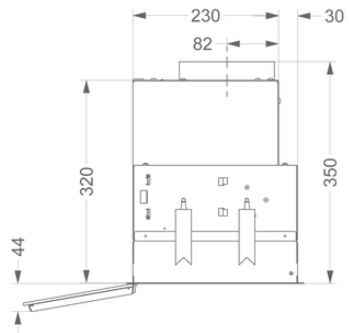
Airflow and noise level

- Sound regulation according to EN 60704-2-13
- Airflow duct out speed 1 (m³/h) / Max pressure duct out speed 1 (Pa) 245 / 83
- Airflow duct out speed 2 (m³/h) / Max pressure duct out speed 2 (Pa) 408 / 246
- Airflow duct out speed 3 (m³/h) / Max pressure duct out speed 3 (Pa) 537 / 397
- Airflow duct out max powerspeed (m³/h) (Qboost) / Max pressure duct out max powerspeed (Pa) 619 / 391
- Sound pressure duct out speed 1 (dB(A)) / Sound power duct out speed 1 (dB(A)) 27 / 39
- Sound pressure duct out speed 2 (dB(A)) / Sound power duct out speed 2 (dB(A)) 38 / 51
- Sound pressure duct out speed 3 (dB(A)) / Sound power duct out speed 3 (dB(A)) 46 / 58
- Sound pressure duct out at max powerspeed (dB(A)) / Sound power duct out at max powerspeed (dB(A)) (LWAboost) 49 / 61

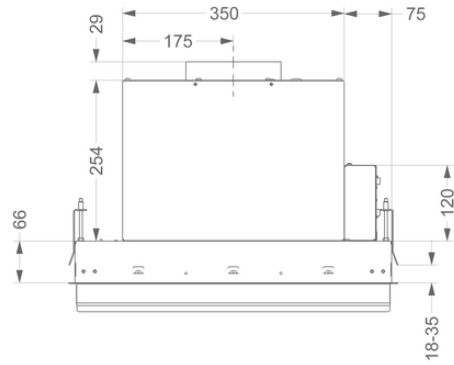
Technical specifications

- | | |
|-----------------------------------------------|------|
| ▪ Maximum power (W) | 117 |
| ▪ Voltage cooker hood (V) | 230 |
| ▪ Frequency (Hz) | 50 |
| ▪ Power consumption in stand-by-mode (Ps) (W) | 0.30 |
| ▪ Net weight (kg) | 12,5 |
| ▪ Length power supply cable (m) | 1,1 |

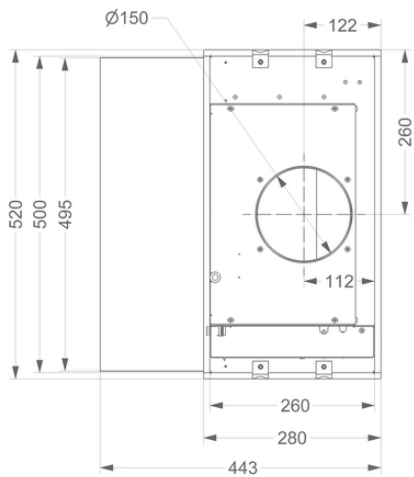
1



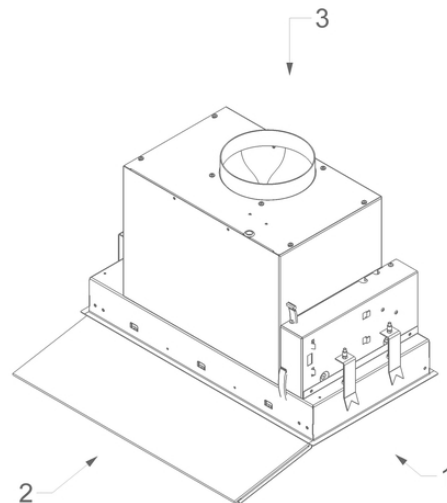
2



3



4



Accessories

Recirculation kit



680400

Monoblock recirculation set Fusion, Fusion+

