

**Induction - Wok**  
**38 cm**  
**Glass**

EAN 5414425219902



### Cooking Zones

---

- Center : 2300/3200 W - 360 mm

### Functions & features

---

- Grill function -
- Chef function -
- Pot move function -
- Automatic pan recognition -
- Keep warm function (°C) 42°C, 70°C, 94°C
- Residual heat indication ▪
- Wipeguard function -
- Childproof lock ▪
- Pause function ▪
- Timers Timer per Zone, Minute minder, Automatic cooking

### Design

---

- Control method Slider touch control
- Info display color Red
- Glass edge Bevelled
- Mounting method Surface, Flushline

### Dimensions

---

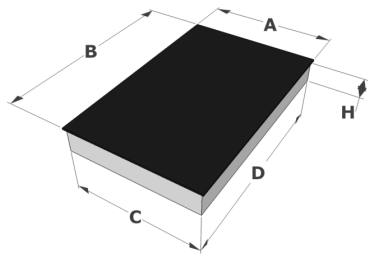
- Product dimensions (WxDxH) (mm) 380 x 520 x 127
- Cut-out worktop (WxD) (mm) 370 x 490

### Technical specifications

---

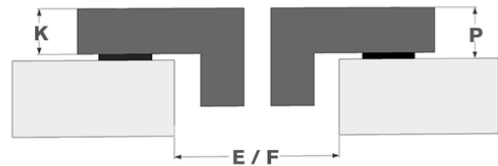
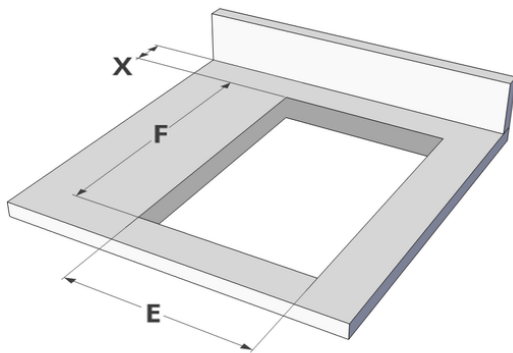
- Maximum power (W) 3200
- Single-phase supply voltage (V) 230 V
- Frequency (Hz) 50-60
- Net weight (kg) 8,6

Dimensions



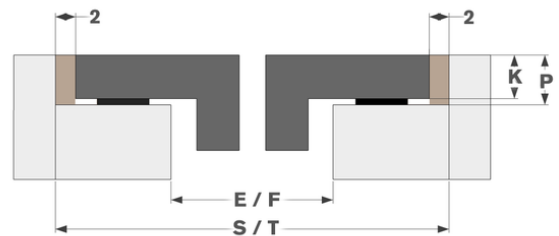
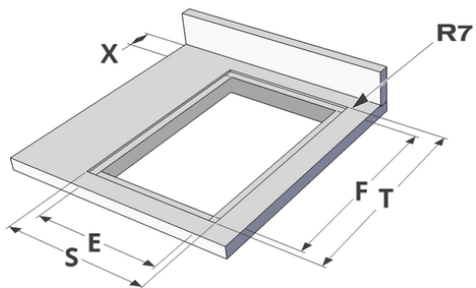
	A	B	C	D	H
mm	380	520	370	490	127

Surface



	E	F	K	P	X
mm	370	490	6	8	50

Flushline



	E	F	S	T	K	P	X
mm	370	490	384	524	6	8	50