

Induction - Pro
4 zones 65 cm
Glass



EAN 5414425194759

Cooking Zones

- 4 zones
- Front left : 2100/3700 W - 240x200 mm
- Rear left : 2100/3700 W - 240x200 mm
- Front right : 2100/3700 W - 240x200 mm
- Rear right : 2100/3700 W - 240x200 mm

Functions & features

- | | |
|-----------------------------|---|
| ▪ InTouch function | Standard |
| ▪ Bridge function | 2 |
| ▪ Bridge activation | Automatic |
| ▪ Grill function | ▪ |
| ▪ Chef function | ▪ |
| ▪ Pot move function | ▪ |
| ▪ Automatic pan recognition | ▪ |
| ▪ Keep warm function (°C) | 42°C, 70°C, 94°C |
| ▪ Residual heat indication | ▪ |
| ▪ Wipeguard function | ▪ |
| ▪ Childproof lock | ▪ |
| ▪ Pause function | ▪ |
| ▪ Timers | Minute minder, Timer per Zone,
Count-up timer, Automatic cooking |

Design

- | | |
|----------------------|----------------------|
| ▪ Control method | Slider touch control |
| ▪ Info display color | White |
| ▪ Glass edge | Bevelled |
| ▪ Mounting method | Surface, Flushline |

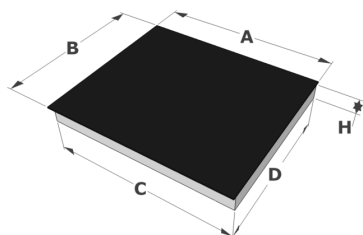
Dimensions

- | | |
|-----------------------------------|----------------|
| ▪ Product dimensions (WxDxH) (mm) | 650 x 520 x 51 |
| ▪ Cut-out worktop (WxD) (mm) | 560 x 490 |

Technical specifications

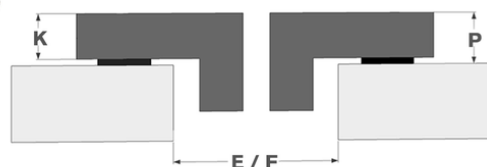
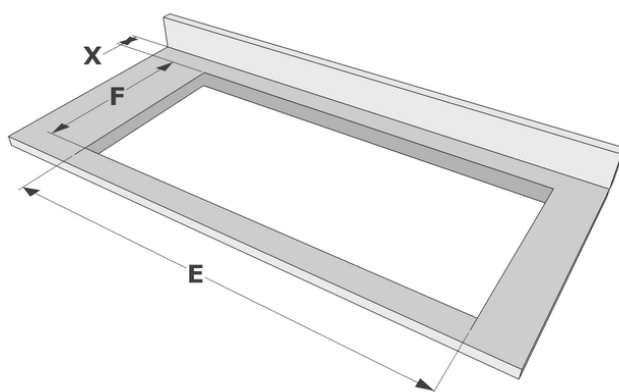
- | | |
|---------------------|-------|
| ▪ Maximum power (W) | 7400 |
| ▪ Frequency (Hz) | 50-60 |
| ▪ Net weight (kg) | 11,5 |

Dimensions



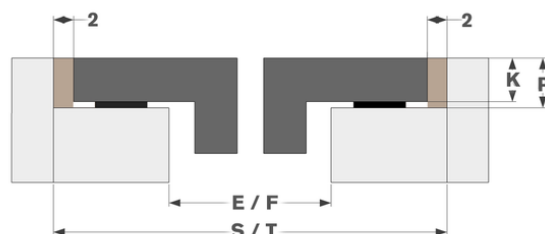
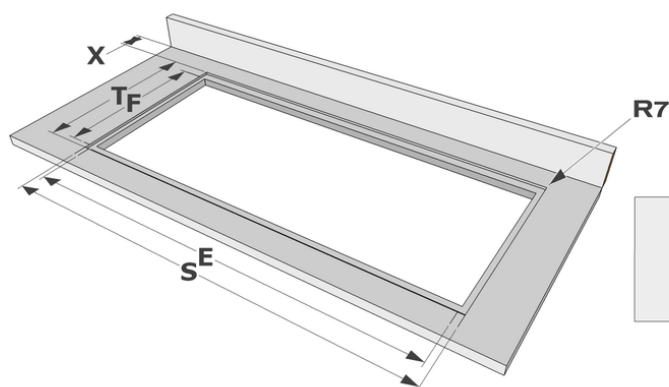
	A	B	C	D	H
mm	650	520	549	480	51

Surface



	E	F	K	P	X
mm	560	490	4	6	50

Flushline



	E	F	S	T	K	P	X
mm	560	490	654	524	4	6	50

Accessories

Cooking



1700092

Side profiles



1700093

Grill plate



1700095

Teppanyaki plate